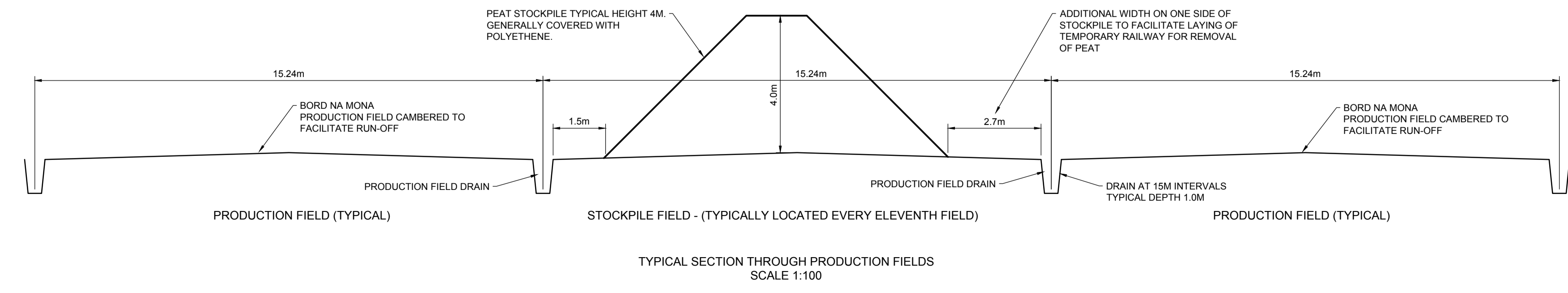
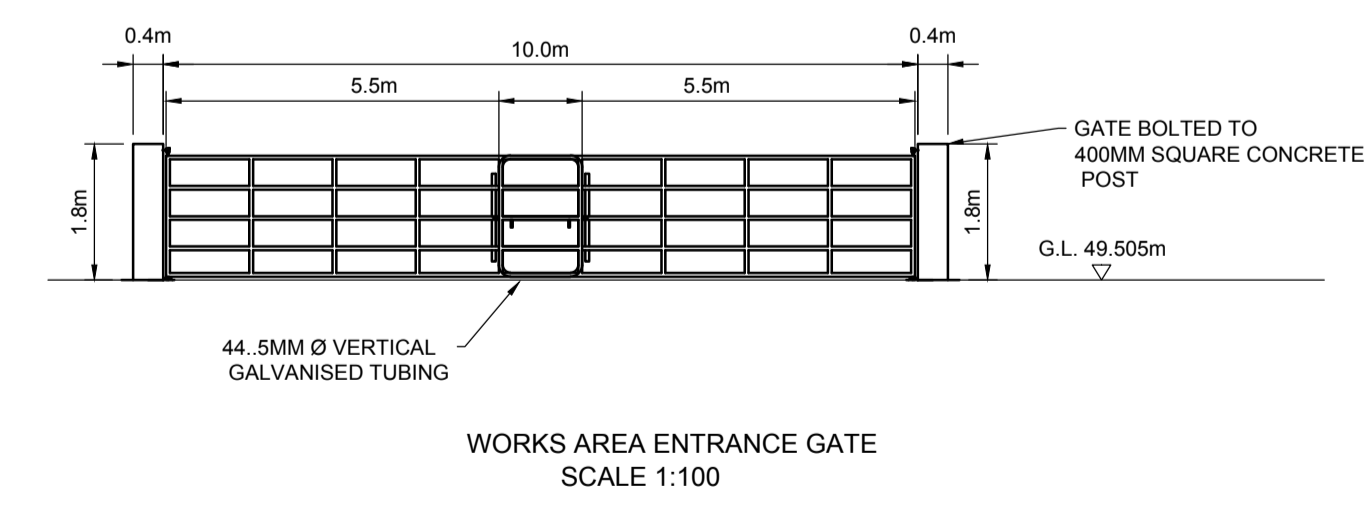
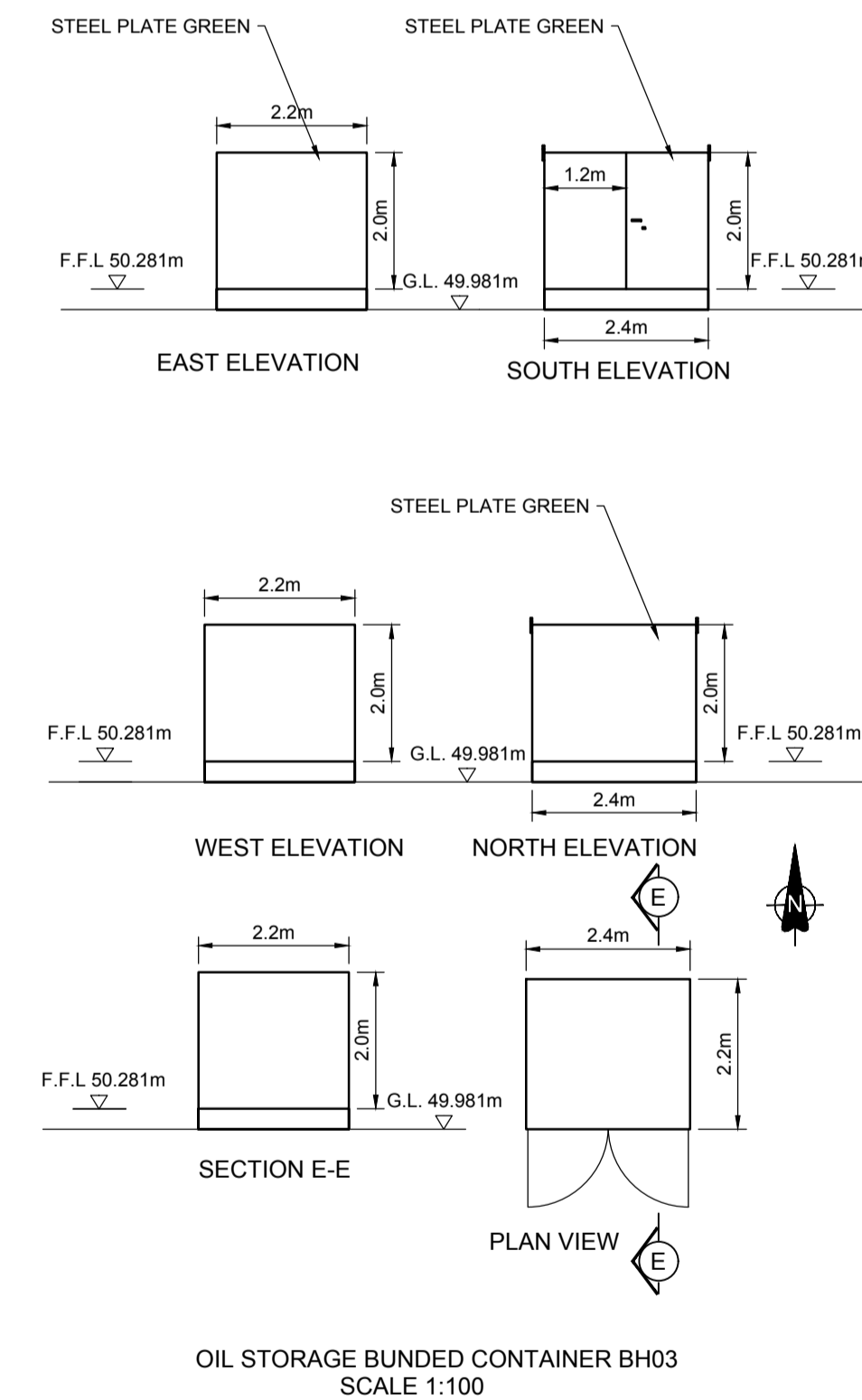
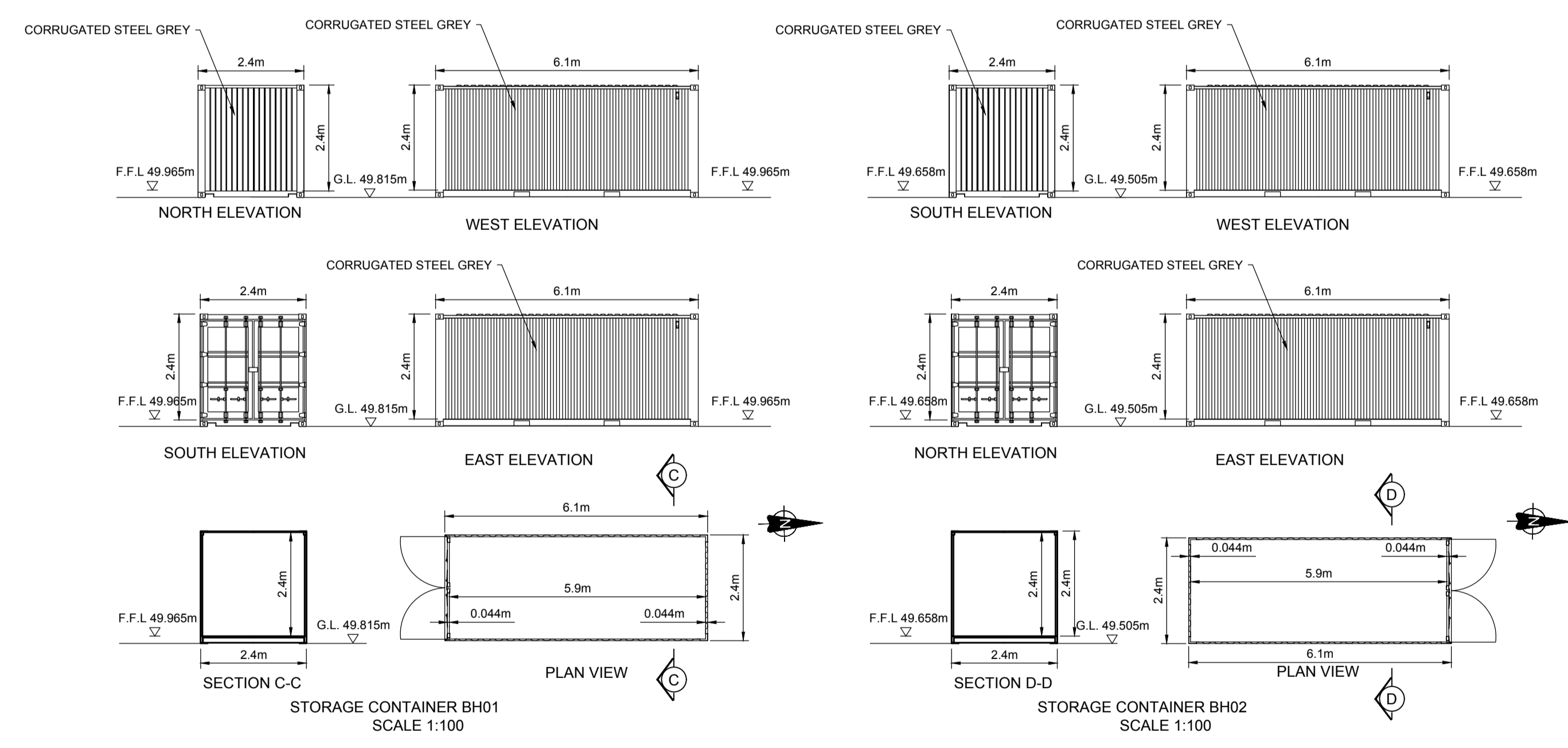
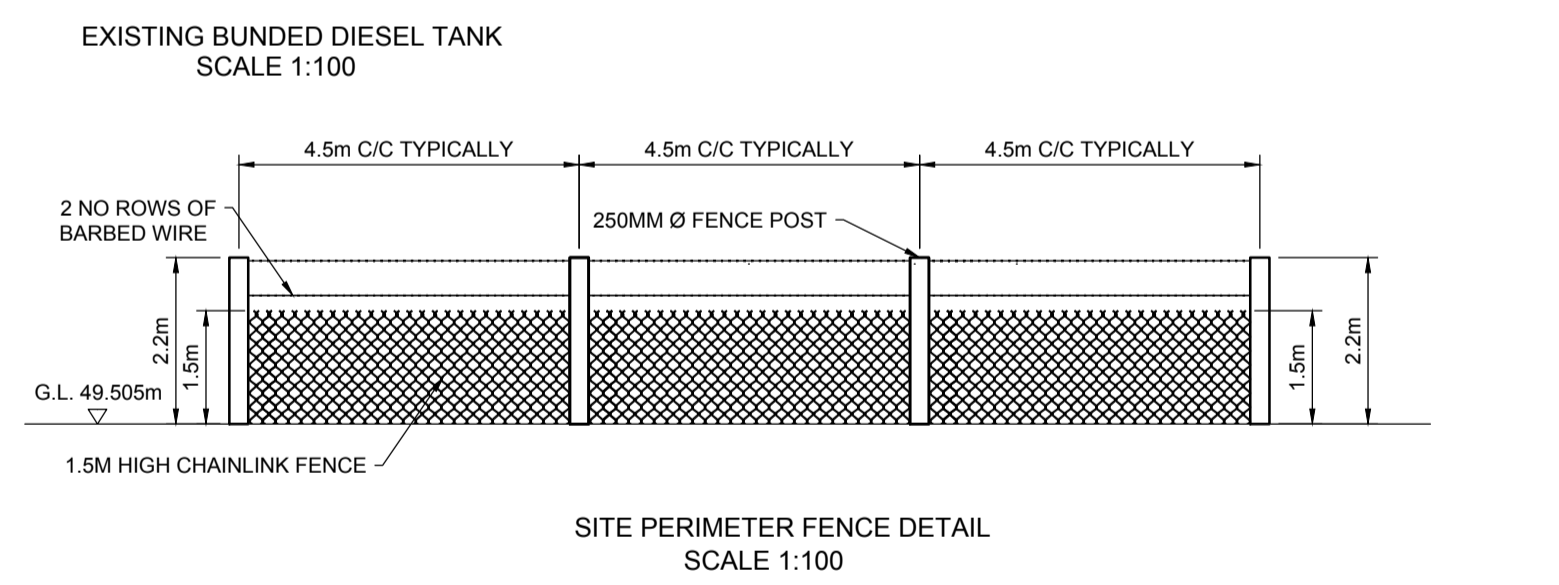
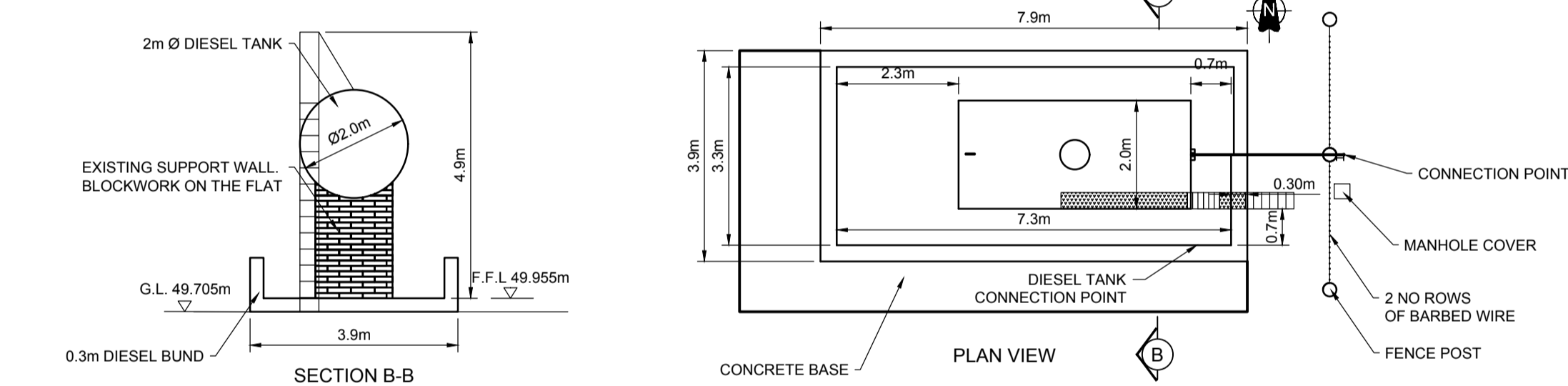
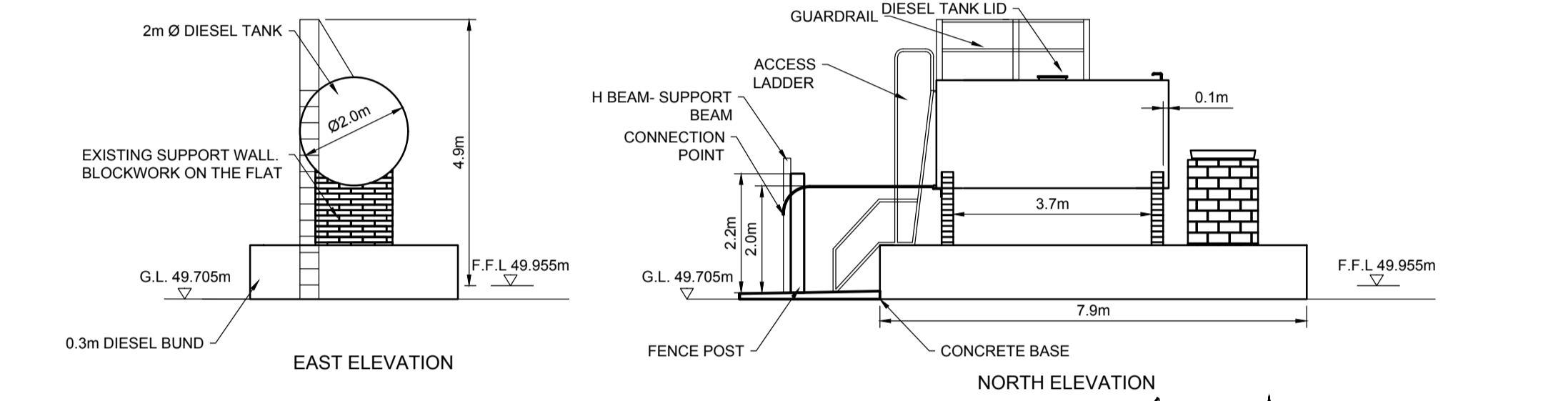
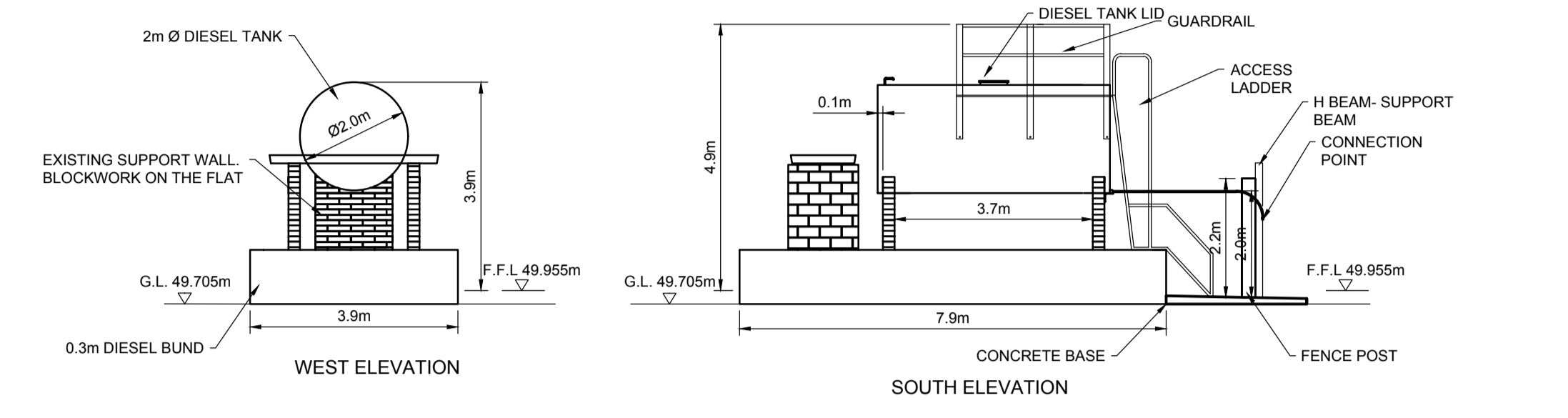
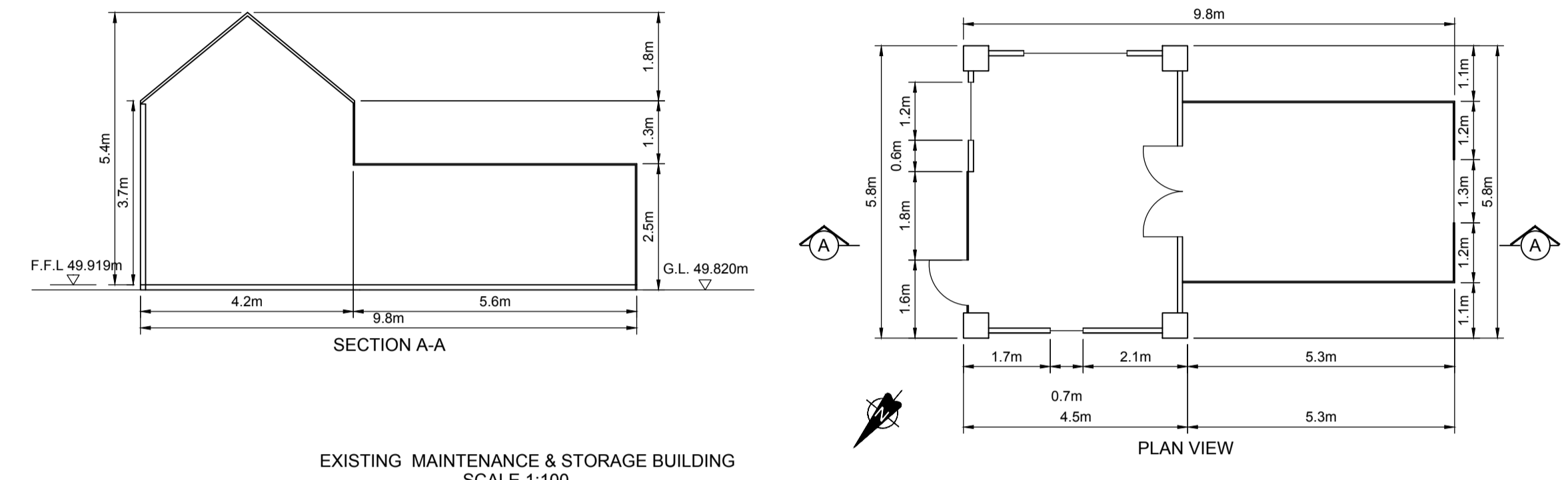
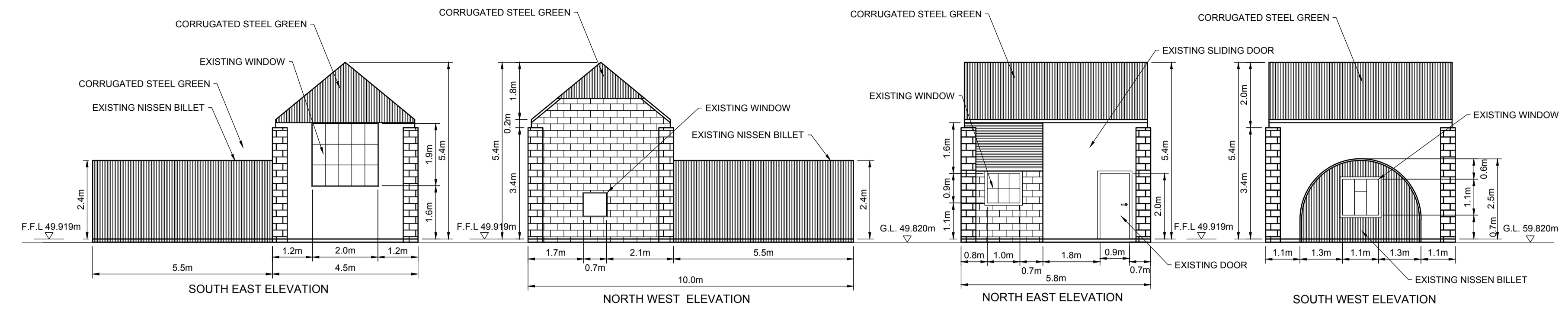


- NOTES:**
1. THIS DRAWING IS FOR PLANNING APPLICATION PURPOSES ONLY.
 2. DRAWING NOT TO BE SCALED. FIGURED DIMENSIONS ONLY TO BE USED.
 3. ALL LEVELS TO MALIN HEAD METRES ABOVE DATUM



Project: SUBSTITUTE CONSENT APPLICATION BALLAGHURT BOG, CO OFFALY				
Title: BUILDINGS AND STRUCTURES				
Dimensions in METRES				
Scale: 1:100 @ A1				
Drawn By:	JC	10/03/2020	BORD NA MONA Naturally Driven Bord Na Mona Engineering Department LEABEG, TULLAMORE CO. OFFALY Tel: 057 9345900 Fax: 057 9345160	
Checked By:	PN	13/03/2020	Drawing No.:	Revision:
Approved By:	DK	13/03/2020	SC-0502-BH-DR05	Sheet 1 of 2